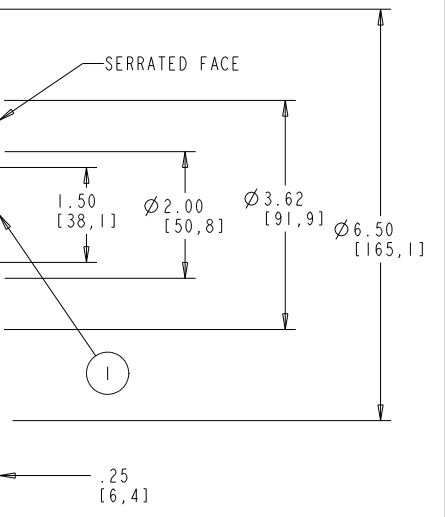


ITEM	QTY	ITEM NO	DRAWING	PART NAME	MATERIAL
1	2	58395		2 FLG PROTECTOR	POLYETHYLENE
2	1	58151	9205	BEARING RING	AMPCO ALUM BRONZE
3	1	21565	49513	BODY SUB	A105
4	1	30134	34913	BONNET	A105
5	4	50226	60684B	FINISHED HEX NUT	F594 304SS
6	1	55017	45706E	GASKET	304/GRAFOIL
7	1	32632	40533	GATE	A479 TYPE 410
8	1	35030	53762	HANDWHEEL	MALLEABLE IRON
9	1	50002	5448	HANDWHEEL NUT	A105
10	4	50060	45417F	HEX HD BOLT	A193 GR B7
11	1	40673	38233	NAME PLATE	ALUMINUM
12	1	55178		PACKING CARTRIDGE	FLEXIBLE GRAPHITE
13	1	34066	34914	PACKING GLAND	A105
14	2	32126	40532	SEAT RING	A479 TYPE 410 HF
15	1	32801	40534	STEM	A479 TYPE 410
16	2	50140	21912	STUD BOLT	F593 304SS
17	1	58452		TACK WELD	(RMPWPS555)
18	1	34007	34916	YOKE	A105
19	1	58100	18054	YOKE NUT	A582 TYPE 416



NOTE:
GATE VALVE TO BE TESTED PER API-598 PER RMPVLT003

X.XX Inches [XX, X] MM	
WEIGHT	43.2 LBS 19.57 Kg
Cv FACTOR	117.6

CNS	57372
REV	09
BY	R. Jackson
DATE	10-6-2003
DWN BY	J. CECIL
CHK BY	S.R.
RVD BY	
DATE	4-23-75
SCALE	0.750

SERIES No:	373-09
ITEM No:	20013
RATING: 1480 PSI • 100 F	SPECS: API 602/ASME B16.34
BODY WLD A105 SR SEAT HF DISC 13CR STEM 13CR	

Flowserve *Vogt Valves*
 SULPHUR SPRINGS, TEXAS, USA
 2 GATE VALVE - FORGED STEEL
 - OS&Y - BOLTED BONNET - BOLTED GLAND -
 RENEWABLE SEATS - LOOSE THREADED GATE -
 INERTIA WELD RAISED FACE FLANGES -CLASS 600
49516-9